

Build it right  
with Real Cedar

# ARBORS, TRELLISES & PERGOLAS

Design ideas for  
enhancing  
outdoor living



WESTERN RED CEDAR LUMBER ASSOCIATION

# REAL CEDAR



# REAL CEDAR FOR YOUR GREAT OUTDOORS.

Western Red Cedar is perfectly suited for your outdoor projects. Naturally decay-resistant, light in weight, easy to work, this durable wood is as practical as it is good looking.

This brochure contains helpful pointers on constructing home-enhancing Cedar fences and gates. We have not included step-by-step building instructions as the designs are simply a source of ideas – concepts you can build on to meet your own outdoor living needs.

## CEDAR, NATURALLY.

For centuries Western Red Cedar has been the Pacific Northwest's "heritage" outdoor building material – for some very natural reasons:

**Natural durability.** Cedar's natural preservative oil eliminates the need for further chemical treatments, unless the wood is in direct contact with the ground.

**Natural stability.** Cedar resists cracking, warping, cupping and pulling loose from fasteners.

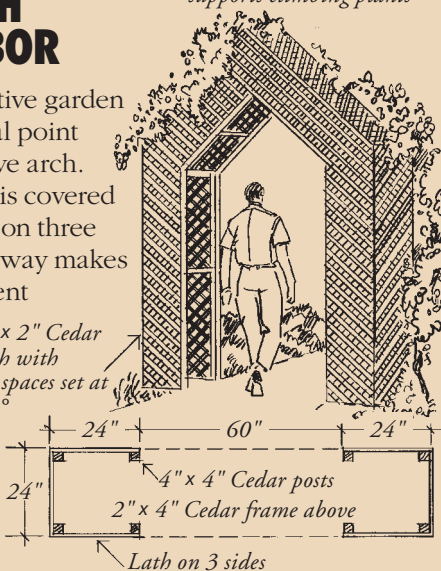
**Natural working ease.** Cedar is uncommonly light in weight, cuts cleanly and easily.

**Natural beauty.** Cedar's richness of grain, color and texture complement any architectural style.

## LATH ARCH ROSE ARBOR

Create a decorative garden entrance or focal point with this effective arch. A simple frame is covered with Cedar lath on three sides. The entryway makes a strong statement and creates a sense of something happening beyond.

*Cedar lath arch supports climbing plants*



**COVERED WALKWAY**

Expand the covered walk to provide a sheltered sitting area.

Leave open on both sides to create a pergola for climbing plants.

Gravel or river rock on 6 mm poly under deck for minimum weed growth.

The covered walkway illustrated here is intended to demonstrate a few of the many design possibilities open to you. In developing your own ideas consider different variations, comparing the advantages and disadvantages of each. If your situation is very complex, you might want to consult with a landscape architect who specializes in residential design.

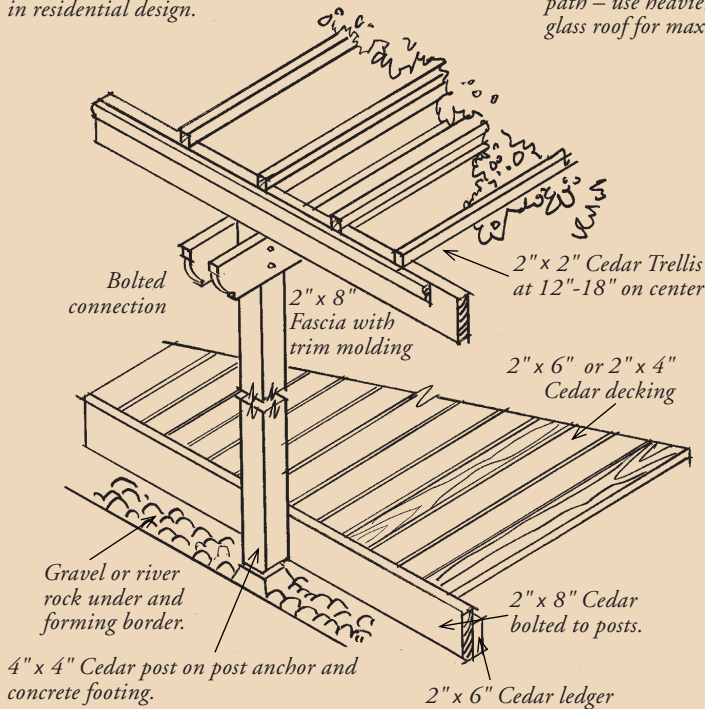
To house

Incorporate an entry gateway as a dramatic focus giving access to the backyard.

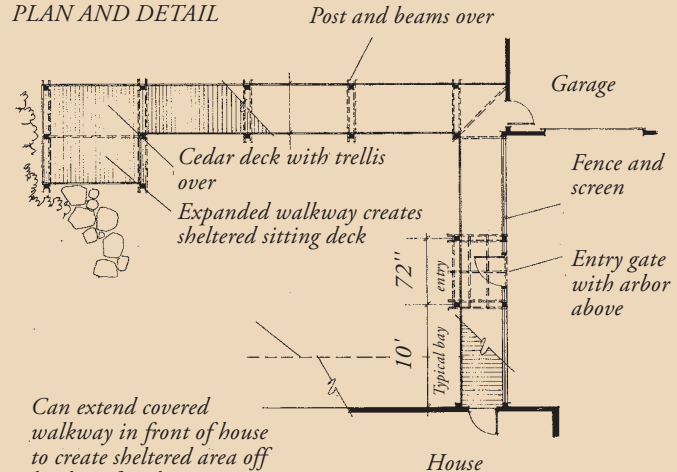
Screen on the side of the walkway with a fence for privacy and to provide a protected path from the garage to the house.

Provide a lattice screen above the fence to allow breezes to pass through or to reduce fence massing.

Raised Cedar decking bypasses wet grass or path – use heavier trellis members to support a glass roof for maximum protection.



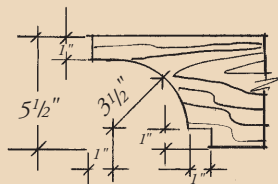
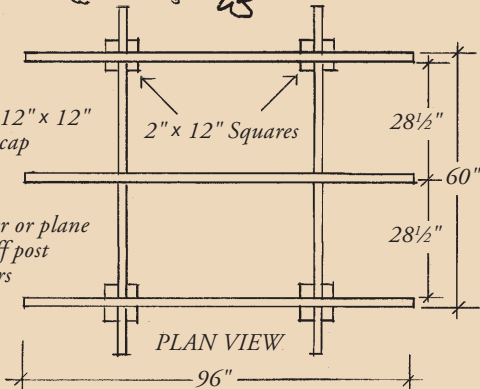
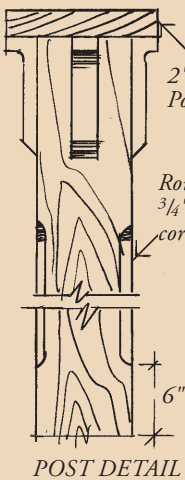
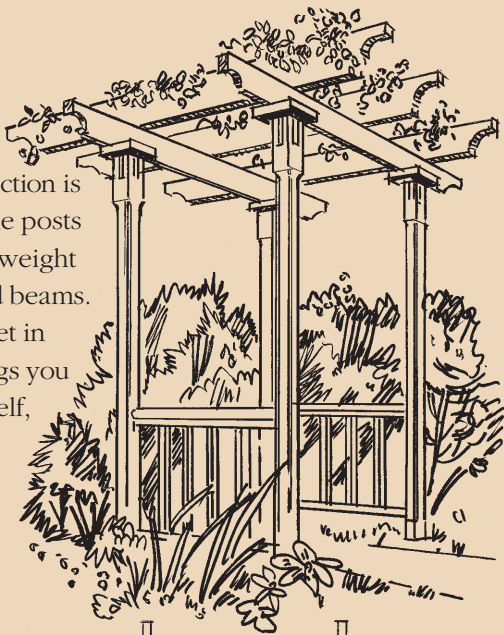
**COVERED WALKWAY  
PLAN AND DETAIL**



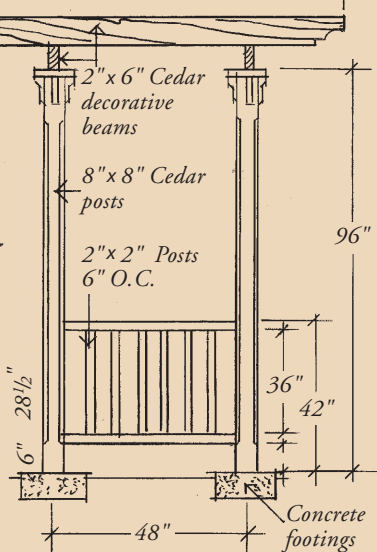
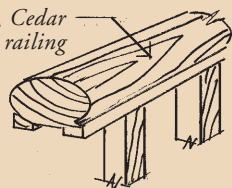
Can extend covered walkway in front of house to create sheltered area off kitchen, family room, etc.

# CEDAR PERGOLA

A vital part of pergola construction is ensuring that the posts can handle the weight of the overhead beams. The posts are set in concrete footings you can pour yourself, or buy ready-made from your building supply dealer.



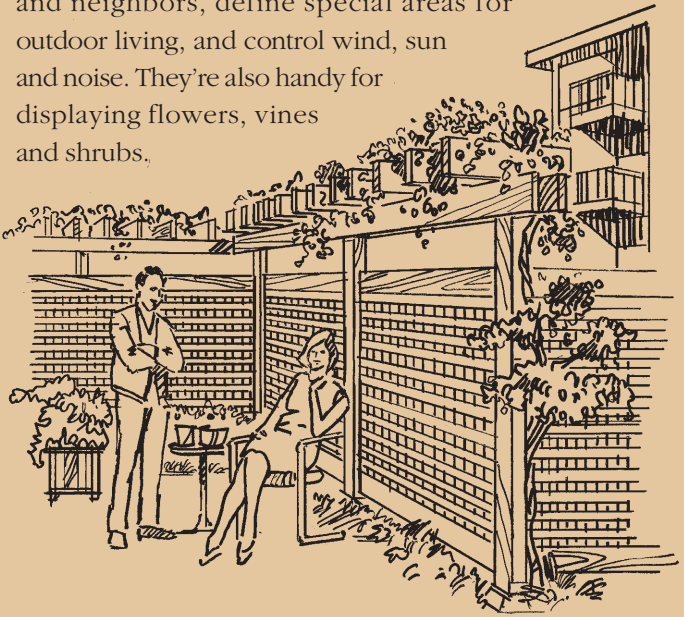
Template for beam ends.



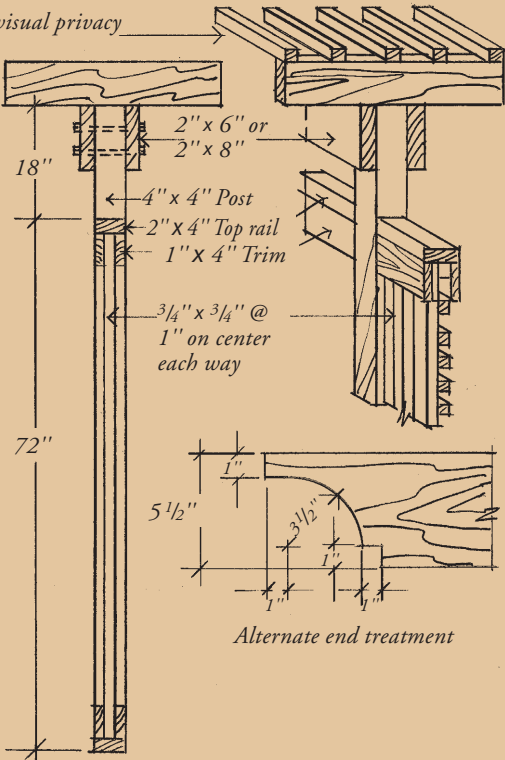


# TRELLIS FENCE

Trellis fences can provide privacy from the street and neighbors, define special areas for outdoor living, and control wind, sun and noise. They're also handy for displaying flowers, vines and shrubs.

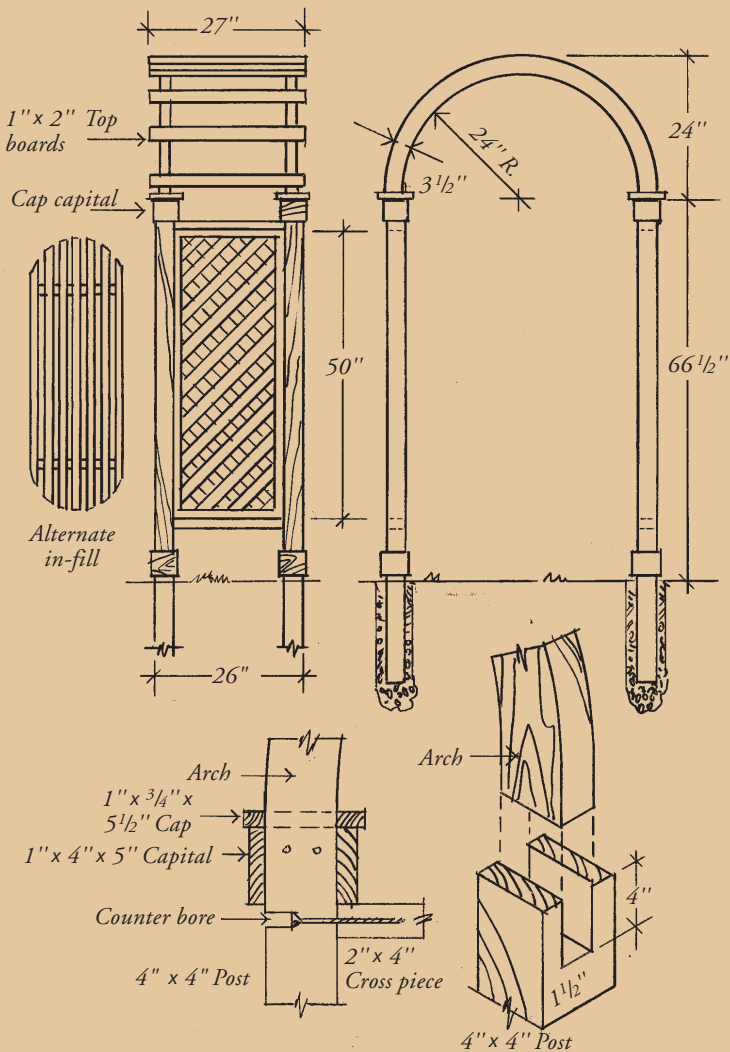


For more visual privacy  
2" x 2"



# ROSE ARBOR

The dimensions of this free standing Cedar rose arbor or gateway in your garden will be determined by the width of the walkway it traverses. Be sure to make it wide enough to allow garden furniture and equipment to pass through.



## THE FINISHING TOUCH

While Cedar can be left unfinished for a rustic weathered look, the use of a quality finish recommended by your building supply dealer can enhance both its good looks and its natural characteristics.

Red Cedar accepts a wide range of stains in your choice of tinted transparent finishes for a natural effect, or lightly pigmented semi-transparent finishes. The latter are available in a spectrum of colors.

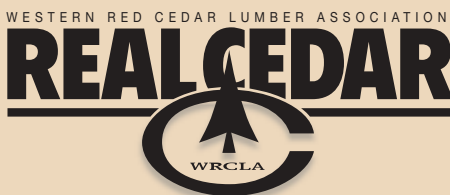
Look for a coating that offers good fungicide and ultra-violet shielding properties as well as additional preservatives to protect your project's youthful complexion. Varnishes and other film-forming coatings which can crack and peel are not recommended for use on Cedar.

### CHECK OUT ALL OUR "BUILD IT RIGHT WITH REAL CEDAR" BROCHURES:

- Decks, Stairs & Railings
- Gazebos & Outbuildings
- Fences & Gates
- Planter Boxes, Benches & Tables
- Arbors, Trellises & Pergolas

### REAL CEDAR OFFERS YOU EXTRA ASSURANCE:

The Western Red Cedar Lumber Association mark of quality tells you it's Today's Cedar, carefully manufactured and strictly graded for your intended use.



Vancouver, BC Canada

Toll Free: 1-866-778-9096

Email: [info@wrcla.org](mailto:info@wrcla.org) [www.realcedar.org](http://www.realcedar.org)