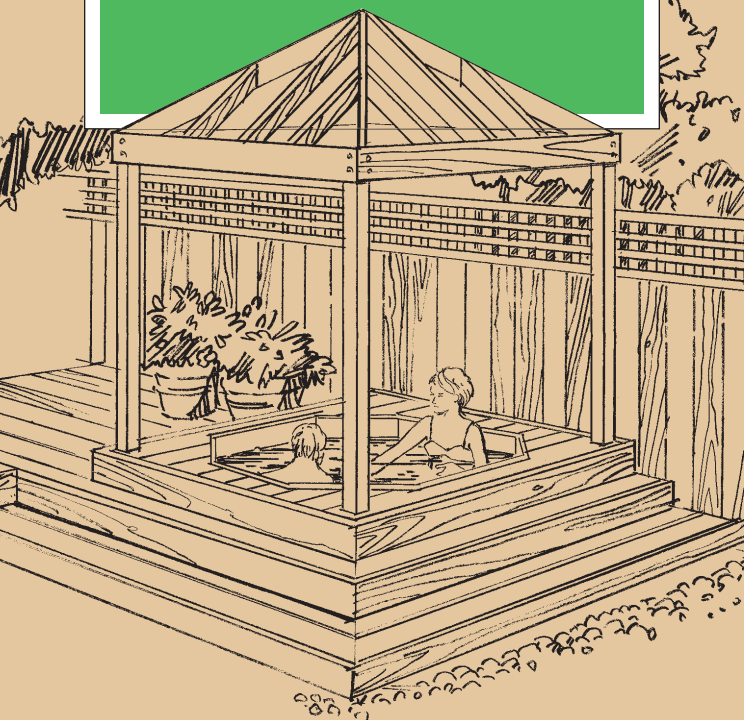


Build it right
with Real Cedar

GAZEBOS

Design ideas for
enhancing
outdoor living



WESTERN RED CEDAR LUMBER ASSOCIATION

REAL CEDAR



REAL CEDAR FOR YOUR GREAT OUTDOORS.

Western Red Cedar is perfectly suited for your outdoor projects. Naturally decay-resistant, light in weight, easy to work, this durable wood is as practical as it is good looking.

This brochure contains helpful pointers on building outdoor Cedar structures for play, entertaining and storage. We have not included step-by-step building instructions as the designs are simply a source of ideas – concepts you can build on to meet your own outdoor living needs.

CEDAR, NATURALLY.

For centuries Western Red Cedar has been the Pacific Northwest's "heritage" outdoor building material – for some very natural reasons:

Natural durability. Cedar's natural preservative oil eliminates the need for further chemical treatments, unless the wood is in direct contact with the ground.

Natural stability. Cedar resists cracking, warping, cupping and pulling loose from fasteners.

Natural working ease. Cedar is uncommonly light in weight, cuts cleanly and easily.

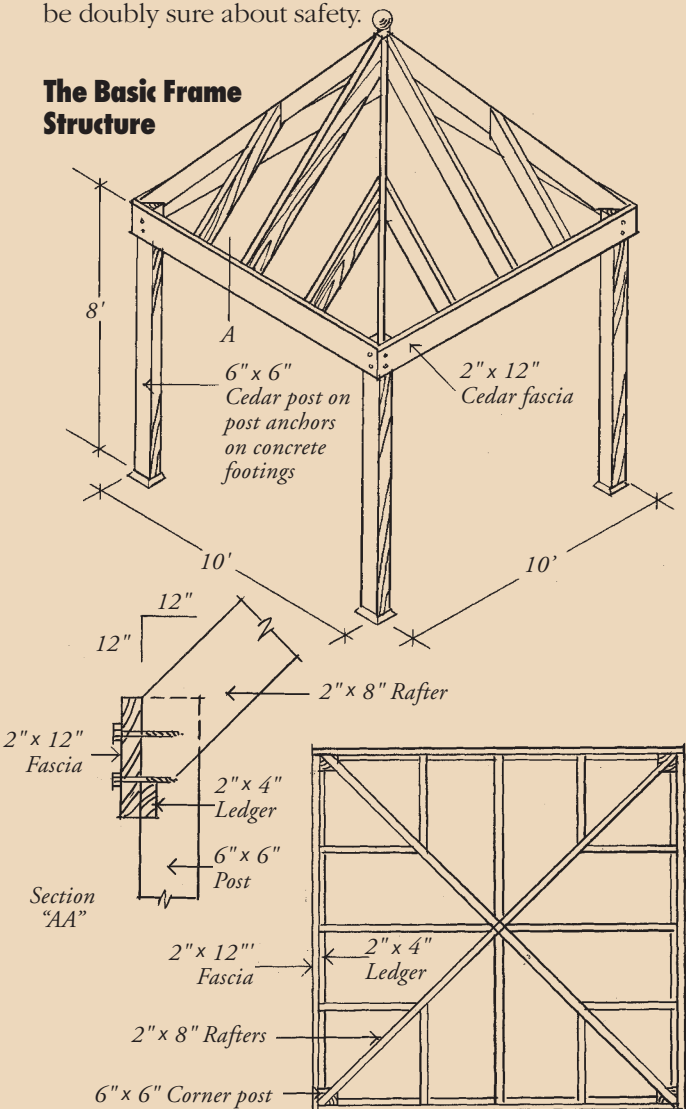
Natural beauty. Cedar's richness of grain, color and texture complement any architectural style.

FOUR GARDEN STRUCTURES

Outdoor Cedar structures are useful extensions of the house. They can function as a protected outdoor playroom for children or alternate areas for adult socializing. Starting with a basic frame design and a pyramid shaped roof, you can build the structures illustrated here or adapt them to suit yourself.

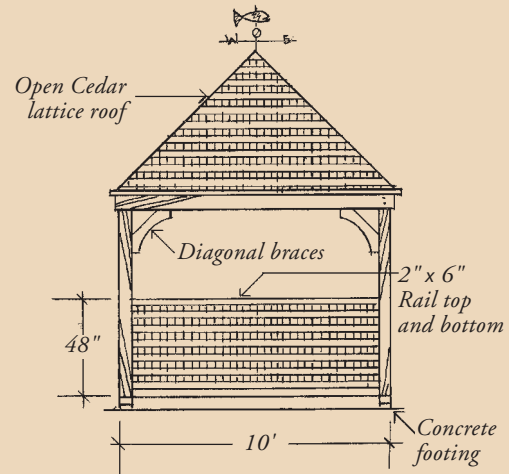
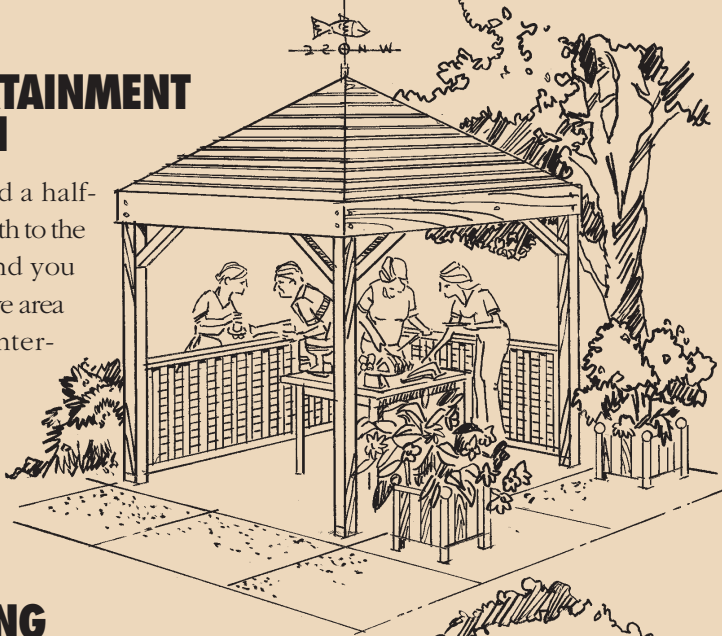
To keep out the weather the roof can be covered with Cedar boards, shakes or shingles. Set the posts in concrete footings and make sure they're plumb, with inside faces parallel for a true and solid frame. For children's spaces be doubly sure about safety.

The Basic Frame Structure



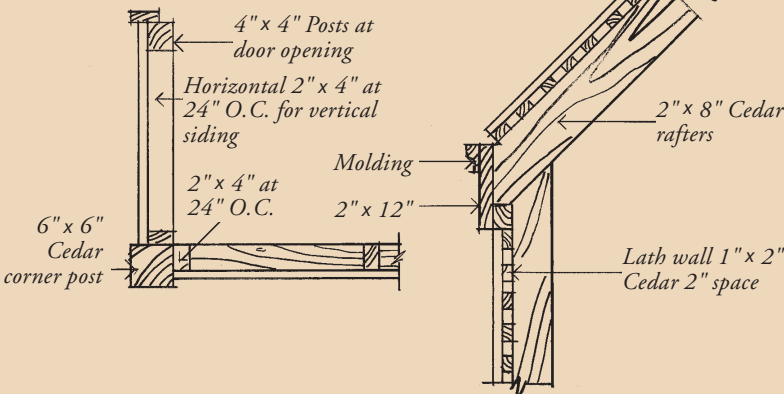
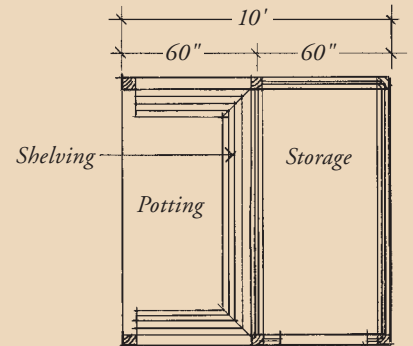
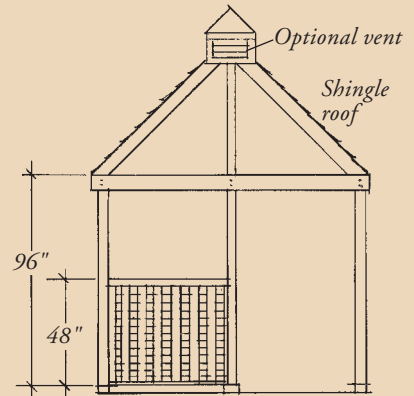
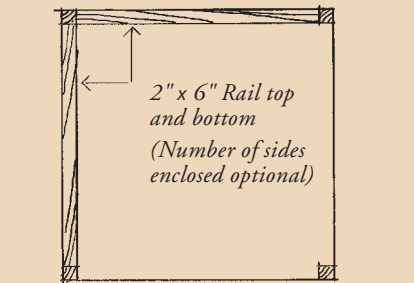
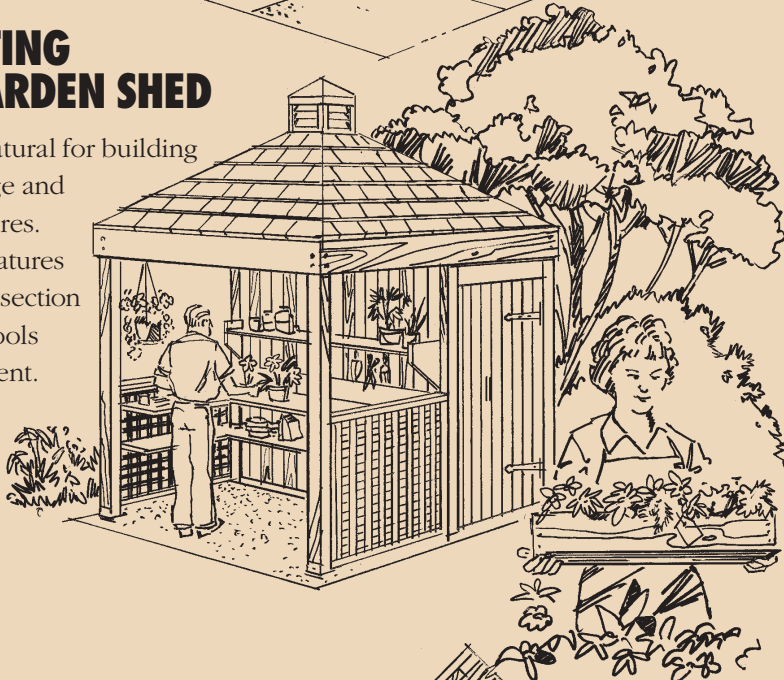
1. ENTERTAINMENT PAVILION

Add a roof and a half-wall of Cedar lath to the basic frame and you have an attractive area for *al fresco* entertaining.



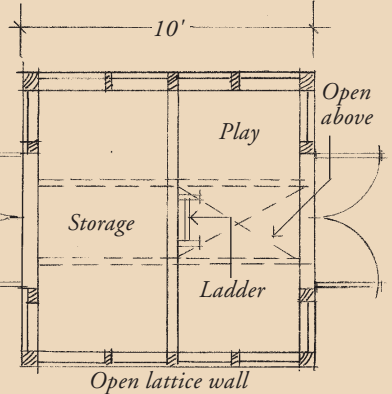
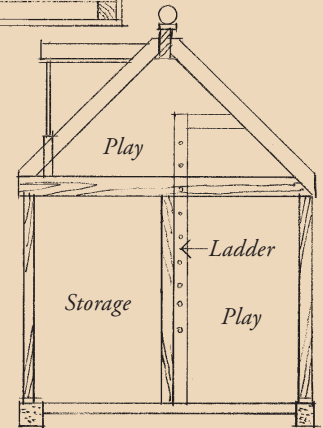
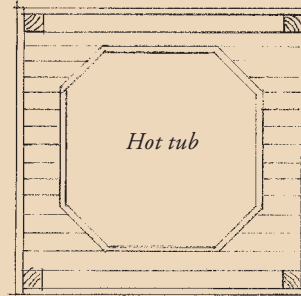
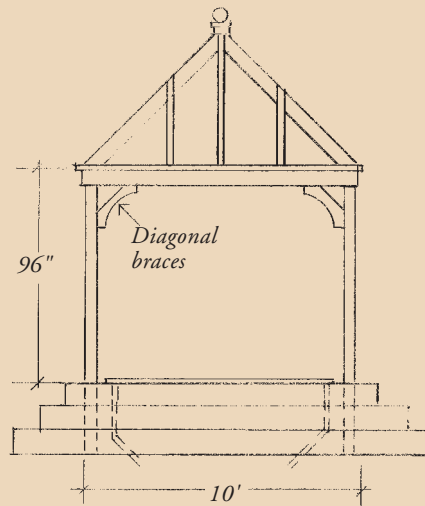
2. POTTING AND GARDEN SHED

Cedar is a natural for building useful storage and work structures. This shed features an enclosed section for garden tools and equipment.



3. HOT TUB

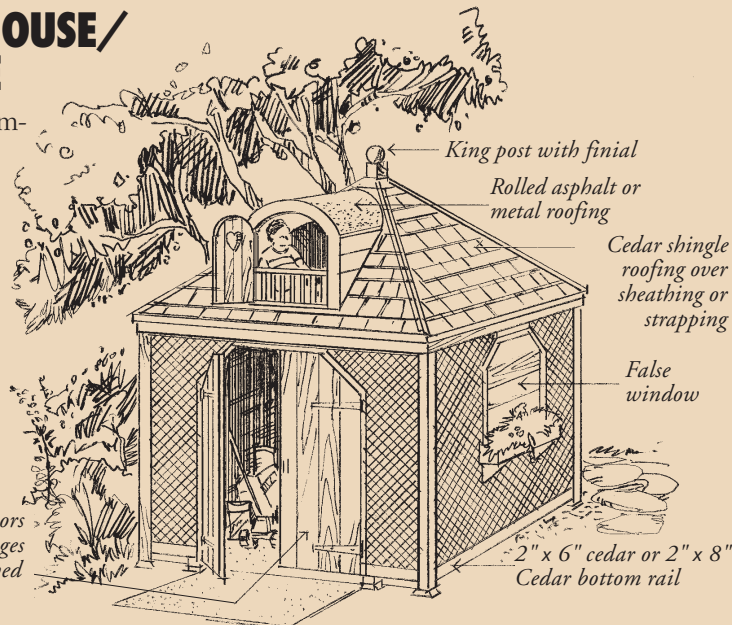
The basic frame with open roof is used here to add style and architectural interest to a hot tub set into a Cedar deck.



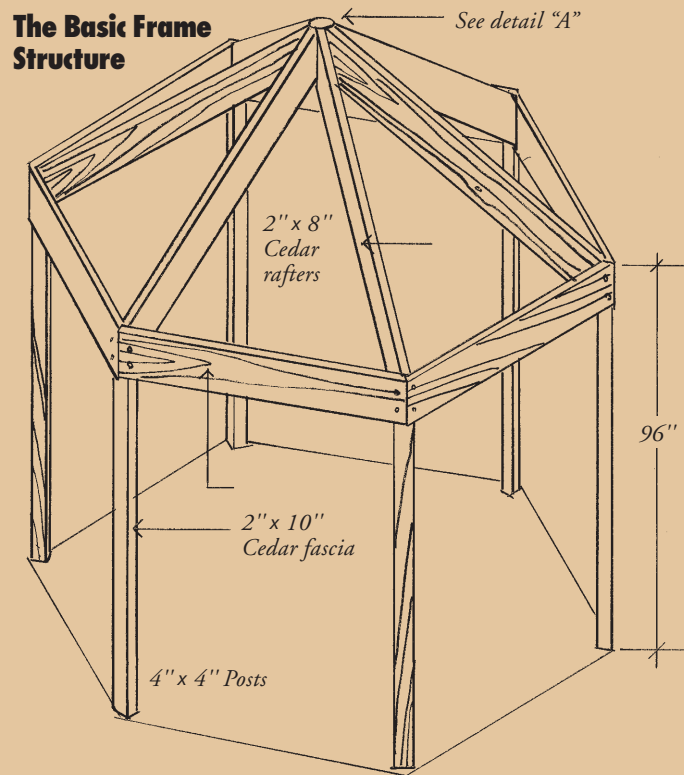
4. PLAYHOUSE/STORAGE

This design combines practical storage room with a fun space for the kids. It features a ladder, loft and dormer window.

Vertical plank doors with strap hinges into storage shed

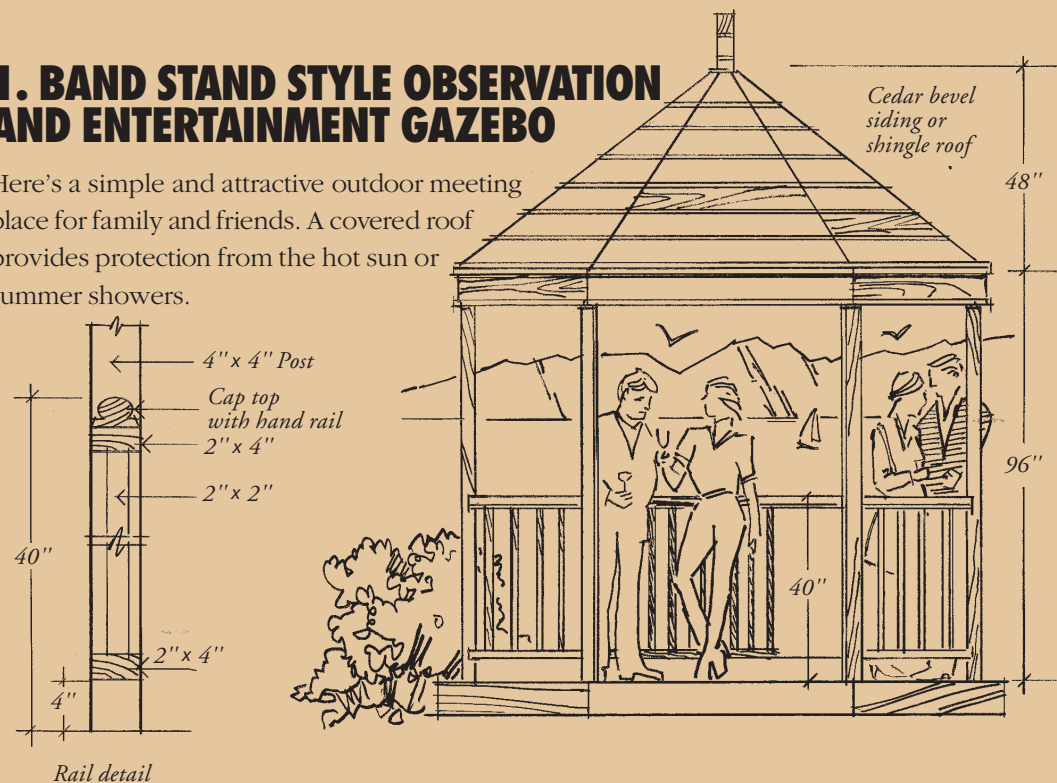


The Basic Frame Structure



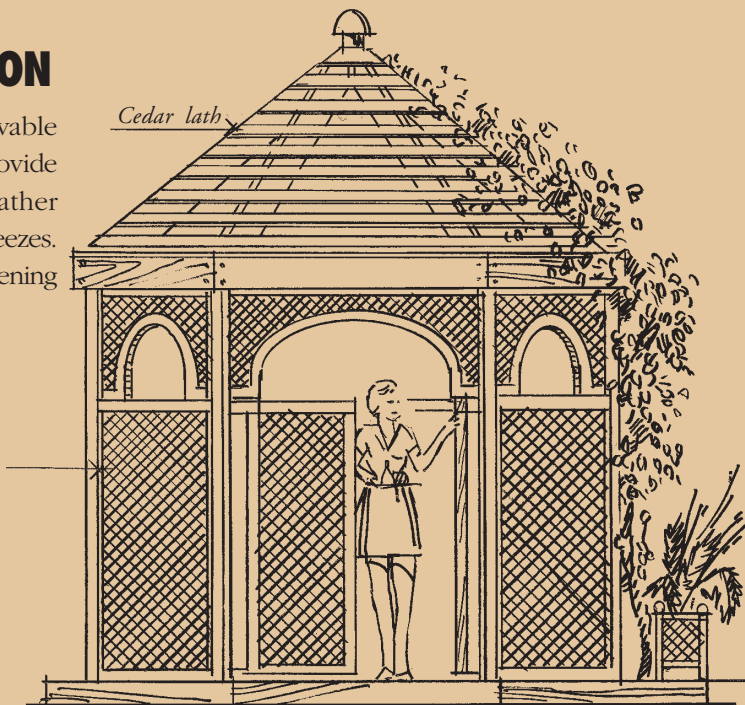
1. BAND STAND STYLE OBSERVATION AND ENTERTAINMENT GAZEBO

Here's a simple and attractive outdoor meeting place for family and friends. A covered roof provides protection from the hot sun or summer showers.



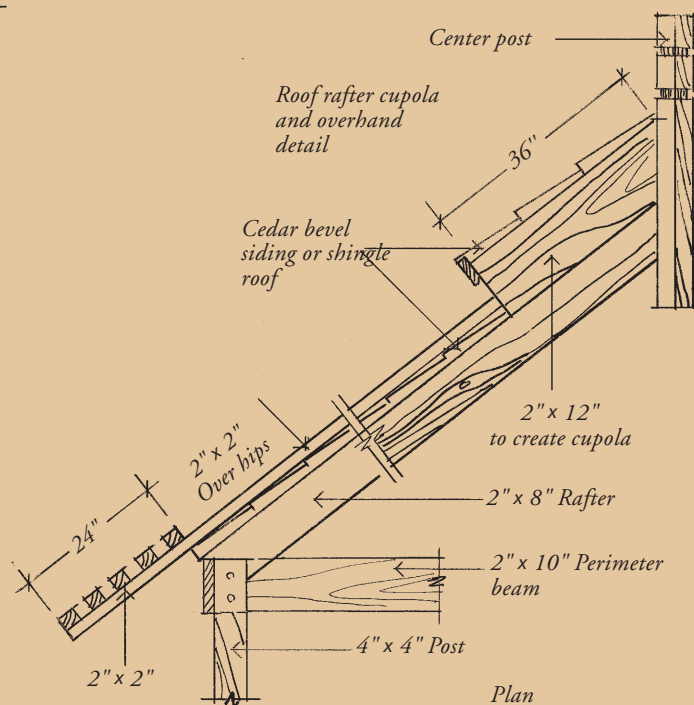
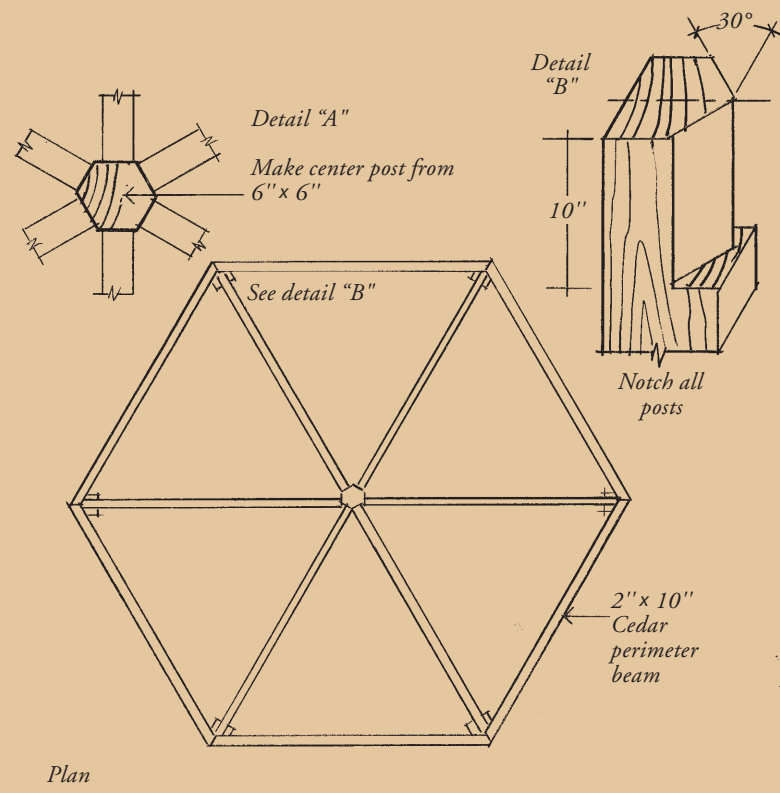
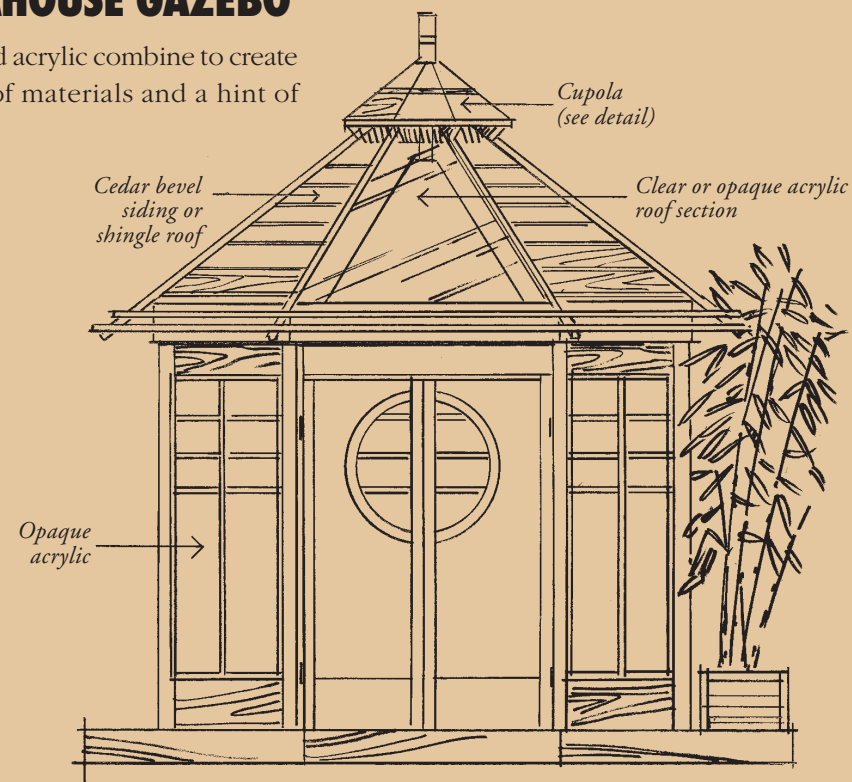
2. SHADE PAVILION

This design features removable Cedar lath panels. These provide excellent shade in hot weather while allowing in cooling breezes. Remove the panels in the evening or when entertaining.



3. PRIVATE TEAHOUSE GAZEBO

In this version, Cedar and acrylic combine to create a sophisticated blend of materials and a hint of oriental style.



THE FINISHING TOUCH

While Cedar can be left unfinished for a rustic weathered look, the use of a quality finish recommended by your building supply dealer can enhance both its good looks and its natural characteristics.

Red Cedar accepts a wide range of stains in your choice of tinted transparent finishes for a natural effect, or lightly pigmented semi-transparent finishes. The latter are available in a spectrum of colors.

Look for a coating that offers good fungicide and ultra-violet shielding properties as well as additional preservatives to protect your project's youthful complexion. Varnishes and other film-forming coatings which can crack and peel are not recommended for use on Cedar.

CHECK OUT ALL OUR "BUILD IT RIGHT WITH REAL CEDAR" BROCHURES:

- Decks, Stairs & Railings
- Gazebos & Outbuildings
- Fences & Gates
- Planter Boxes, Benches & Tables
- Arbors, Trellises & Pergolas

REAL CEDAR OFFERS YOU EXTRA ASSURANCE:

The Western Red Cedar Lumber Association mark of quality tells you it's Real Cedar, carefully manufactured and strictly graded for your intended use.



Vancouver, BC Canada

Toll Free: 1-866-778-9096

Email: info@wrcla.org www.realcedar.org